

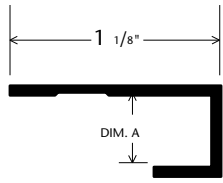


FRYREGLET
ARCHITECTURAL METALS

Reveal Panel Trim

J-CHANNEL TRIM

PRODUCT DETAIL :



USAGE

Fry Reglet J-Channel is a termination trim designed to cover the edge of HardiePanel™ siding at intersections and at door and window openings.

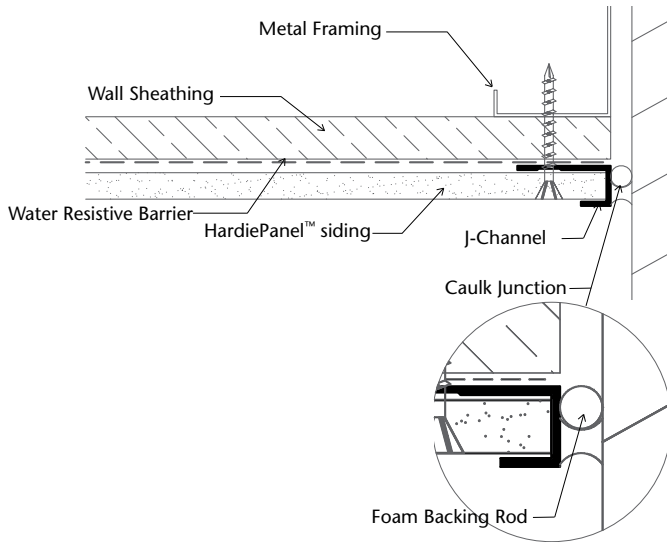
GUIDE SPECIFICATION

Where indicated on drawings, Fry Reglet J-Channel, as manufactured by Fry Reglet Corporation, shall be installed. Aluminum shall be extruded alloy 6063 T5, with chemical conversion coating, unless otherwise specified.

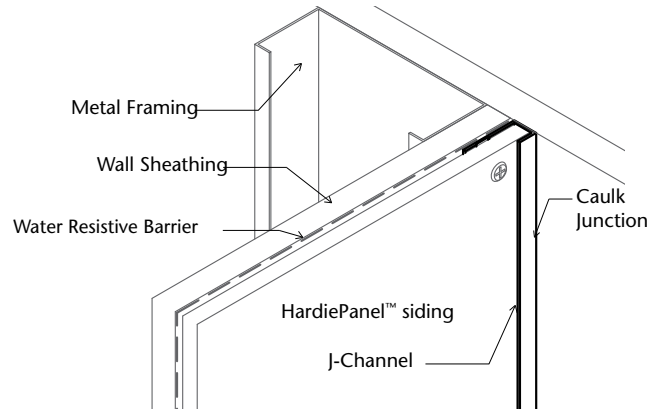
J-CHANNEL SIZES

DIM. A	NUMBER
3/8"	FCP - J-CHANNEL

INSTALLATION DETAIL : Cross Section



INSTALLATION DETAIL : ISO View

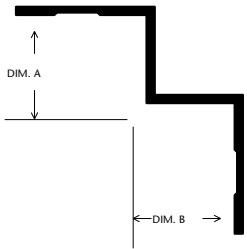


NOTE: Do not use J-Channel Trim horizontally with short leg up.



INSIDE CORNER TRIM

PRODUCT DETAIL :



USAGE

Fry Reglet Inside Corner creates a square and true termination point for HardiePanel™ siding at an Inside Corner.

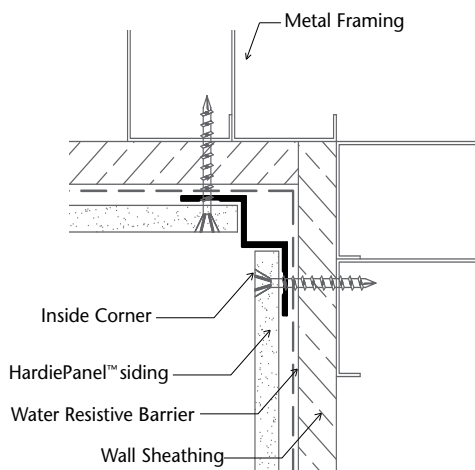
GUIDE SPECIFICATION

Where indicated on drawings, Fry Reglet Inside Corner, as manufactured by Fry Reglet Corporation, shall be installed. Aluminum shall be extruded alloy 6063 T5, with chemical conversion coating, unless otherwise specified.

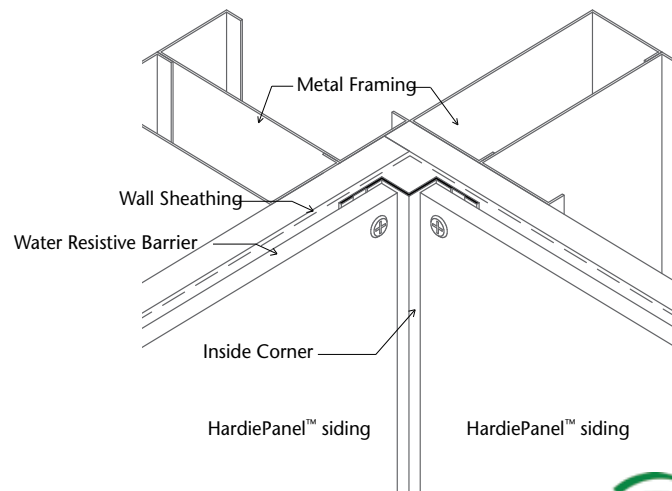
INSIDE CORNER SIZES

DIM. A REVEAL DEPTH	DIM. B REVEAL DEPTH	NUMBER
1/2"	1/2"	FCP - INSIDE CNR

INSTALLATION DETAIL : Cross Section

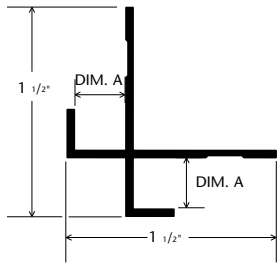


INSTALLATION DETAIL : ISO View



OUTSIDE CORNER TRIM

PRODUCT DETAIL :



USAGE

Fry Reglet Outside Corner creates a straight and true, abuse resistant corner with exposed flanges that cover the vertical ends of the HardiePanel™ siding.

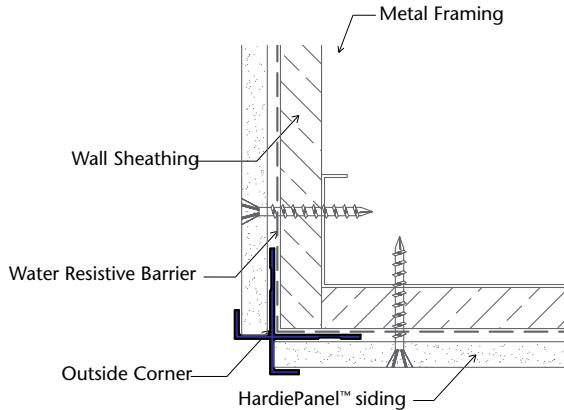
GUIDE SPECIFICATION

Where indicated on drawings, Fry Reglet Outside Corner, as manufactured by Fry Reglet Corporation, shall be installed. Aluminum shall be extruded alloy 6063 T5, with chemical conversion coating, unless otherwise specified.

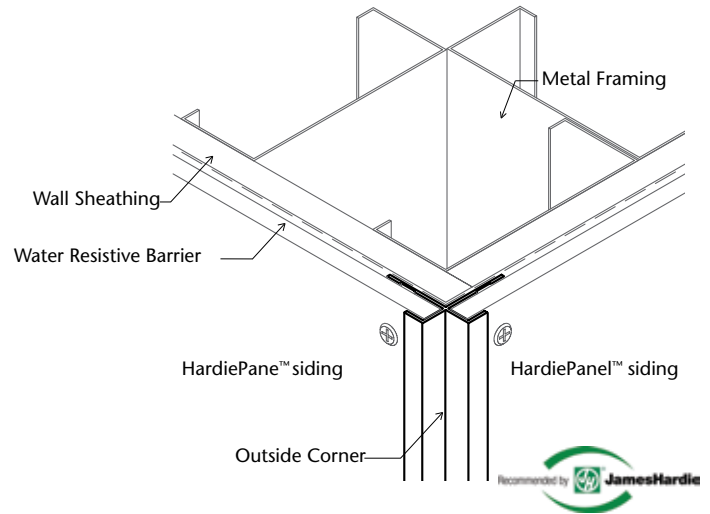
OUTSIDE CORNER SIZES

DIM. A REVEAL DEPTH	NUMBER
3/8"	FCP - OUTSIDE CNR

INSTALLATION DETAIL : Cross Section

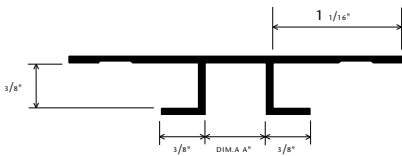


INSTALLATION DETAIL : ISO View



VERTICAL MOLDING TRIM

PRODUCT DETAIL :



USAGE

Fry Reglet Vertical Molding creates an attractive vertical reveal between HardiePanel™ siding. The reveal becomes a design element to enhance building Exteriors.

GUIDE SPECIFICATION

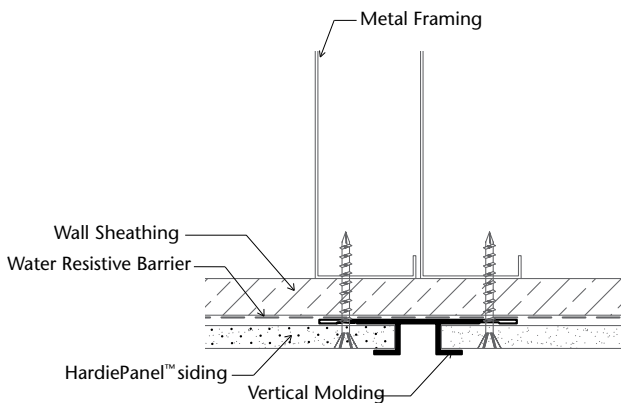
Where indicated on drawings, Fry Reglet Vertical Molding, as manufactured by Fry Reglet Corporation, shall be installed. Aluminum shall be extruded alloy 6063 T5, with chemical conversion coating, unless otherwise specified.

NOTE: Do not use the Vertical Molding at horizontal joints.

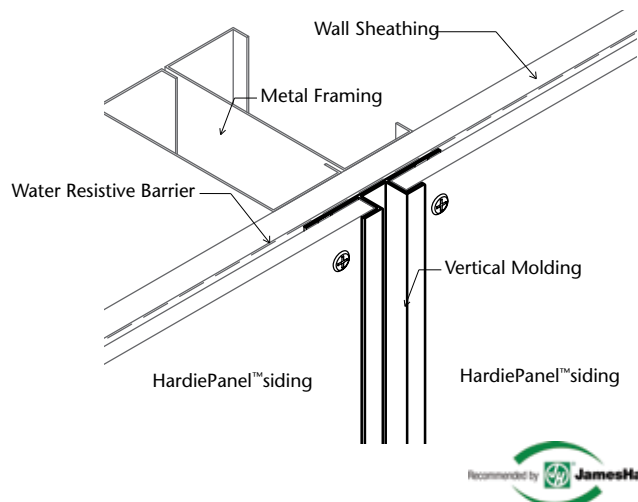
VERTICAL MOLDING SIZES

DIM. A	NUMBER
1/2"	FCP - VERTICAL

INSTALLATION DETAIL : Cross Section

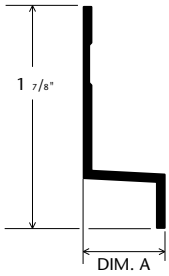


INSTALLATION DETAIL : ISO View



"Z" FLASHING TRIM

PRODUCT DETAIL :



USAGE

Fry Reglet "Z" Flashing creates an attractive reveal between horizontal ends of HardiePanel™ siding. Profile shape channels moisture out and away from sheathing and water resistance barrier.

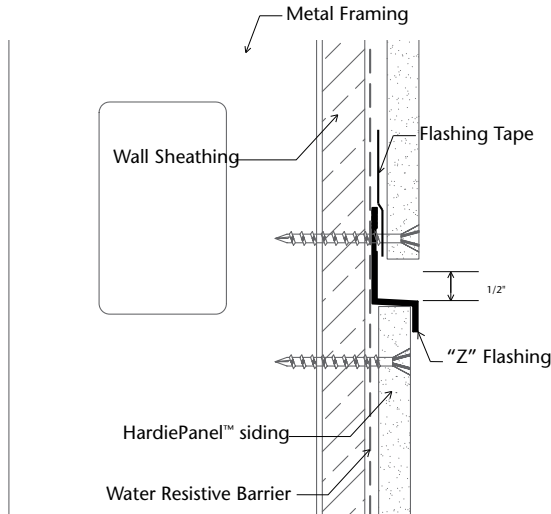
GUIDE SPECIFICATION

Where indicated on drawings, Fry Reglet "Z" Flashing, as manufactured by Fry Reglet Corporation, shall be installed. Aluminum shall be extruded alloy 6063 T5, with chemical conversion coating, unless otherwise specified.

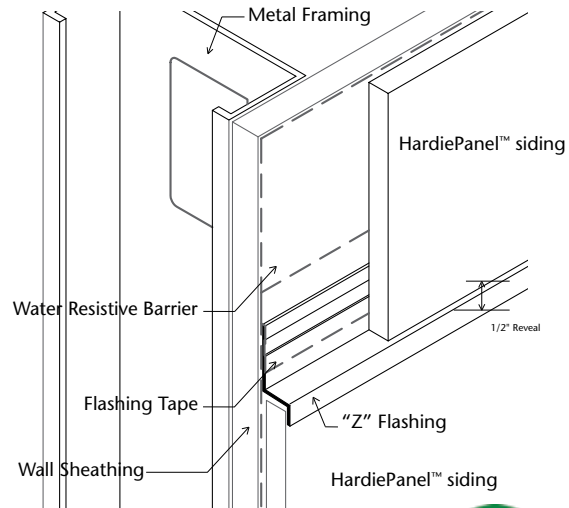
"Z" FLASHING SIZES

DIM. A	NUMBER
1/2"	FCP - Z FLASHING

INSTALLATION DETAIL : Cross Section

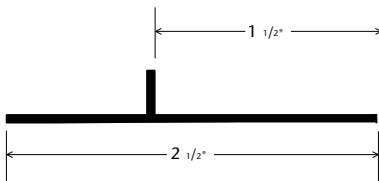


INSTALLATION DETAIL : ISO View



T-PIECE TRIM

PRODUCT DETAIL :



USAGE

Fry Reglet T-piece provides a 1/2" express / reveal at horizontal joints in **JamesHardie® Artisan® Matrix™ Panels**.

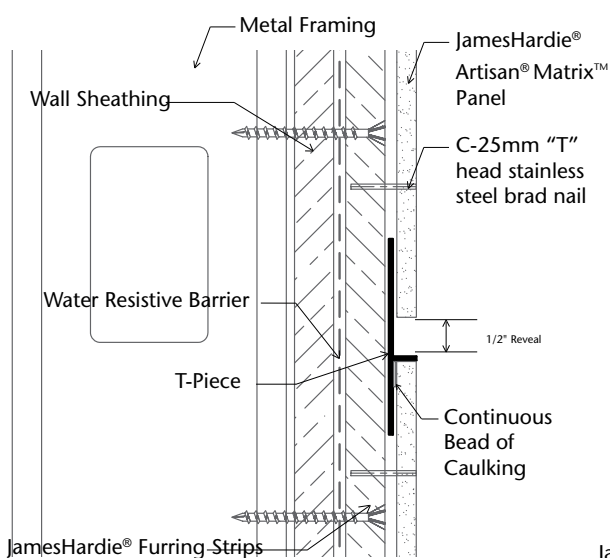
GUIDE SPECIFICATION

Where indicated on drawings, Fry Reglet T-Piece, as manufactured by Fry Reglet Corporation, shall be installed. Aluminum shall be extruded alloy 6063 T5, with chemical conversion coating, unless otherwise specified.

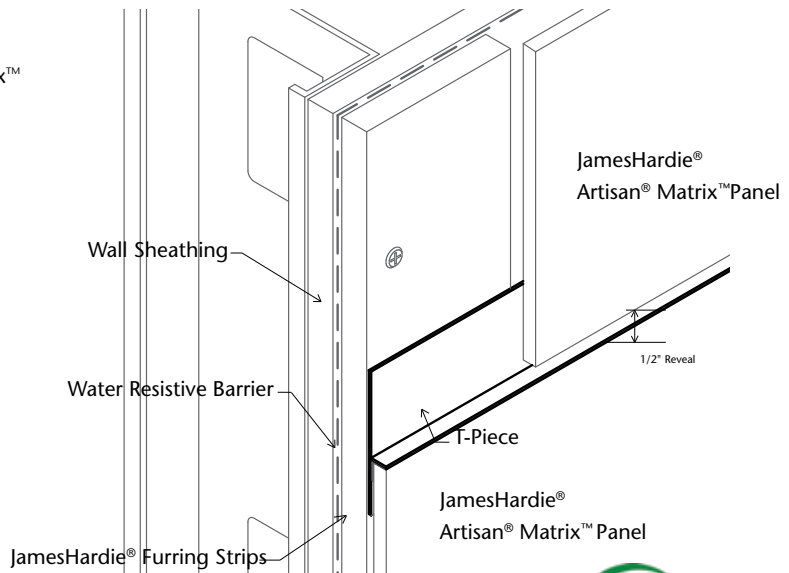
T-PIECE SIZES

LENGTH	NUMBER
95 1/2"	FCP - T PIECE

INSTALLATION DETAIL : Cross Section



INSTALLATION DETAIL : ISO View



SECTION 09 21 00 REVEAL PANEL TRIM ACCESSORIES

PART 1 - GENERAL

1.1 SUMMARY

- A. Related work specified elsewhere includes:
1. Rough carpentry
 2. Sheathing
 3. Cementitious panel systems
 4. Painting

1.2 SUBMITTALS

- A. Product data: Indicate product description, including compliance with specified requirements and installation requirements. Mark manufacturer's brochures to include only those products proposed for use.

1.3 QUALITY ASSURANCE

- A. Applicable standards; standards of the following, as referenced herein:
1. Aluminum Association (AA).
 2. American Society for Testing and Materials (ASTM).
- B. ** Allowable tolerances in horizontal planes:
1. Variation from level: +1/8" in 12'-0".
- C. ** Allowable tolerances in framed vertical construction.
1. Position: +1/4" maximum variation from design position.
 2. Alignment: 1/8" in 8'-0"; 1/4" maximum in any continuous wall, line or surface.

1.4 DELIVERY, STORAGE AND HANDLING

- A. Storage:
1. Stack accessories off floor on pallets or similar platforms providing continuous support for accessories to prevent sagging. Stack accessories so that long lengths are not over short lengths.
 2. Handle materials to prevent damage to surfaces, edges and ends of aluminum trims. Reject and remove damaged material from site.

PART 2 - PRODUCTS

2.1 MANUFACTURER:

- A. Acceptable manufacturer; subject to compliance with specified requirements:
- Fry Reglet Corporation
1377 Stonefield Court
Alpharetta, GA 30004
Phone 800-237-9773 • Fax 800-200-4379

2.2 MATERIALS AND FINISH:

SELECT ONE OF THE FOLLOWING FINISH OPTIONS.

- A. Anodized Finish: Architectural 200R1 light etch (AA-M32c10A21), clear color.

** OR THE FOLLOWING IS A SPECIAL ORDER FINISH.

1. Class II, Architectural 204R1 medium etch 0.40 mils minimum (AA-M12C22A31), clear color.
2. Thickness of anodic coating shall be tested in accord with ASTM B244-97 and sealed to pass modified dye stain test ASTM B136-84(1998).

** OR SELECT THE FOLLOWING FINISH WHEN FIELD PRIMING AND PAINTING IS PLANNED.

Chemical conversion coat finish: Treatment of aluminum moldings shall conform with ASTM ND1730-67(1998), Type B.

2.3 PROFILES

EDIT THE FOLLOWING PARAGRAPHS BASED ON PROJECT REQUIREMENTS.

- A. J-Channel:
1. Acceptable product: Number FCP – J-Channel
 2. Characteristics:
 - a. Description: J-Channel provides a termination designed to cover the edge of HardiePanel siding at intersections and at door and window openings.

- b. Material: Extruded aluminum.
- c. Dimensions: As indicated on drawings.

B. Inside Corner:

1. Acceptable product: Number FCP – Inside Corner
2. Characteristics:
 - a. Description: Inside corner creates a square and true termination point for HardiePanel siding at an inside corner.
 - b. Material: Extruded aluminum.
 - c. Dimensions: As indicated on drawings.

C. Outside Corner:

1. Acceptable product: Number FCP – Outside Corner
2. Characteristics:
 - a. Description: Outside corner creates a straight and true, abuse resistant corner with exposed flanges that cover the vertical ends of HardiePanel siding.
 - b. Material: Extruded aluminum.
 - c. Dimensions: As indicated on drawings.

D. Vertical Molding:

1. Acceptable product: Number FCP - Vertical
2. Characteristics:
 - a. Description: Vertical molding creates an attractive vertical reveal between HardiePanel siding.
 - b. Material: Extruded aluminum.
 - c. Dimensions: As indicated on drawings.

E. "Z" Flashing:

1. Acceptable product: FCP – Z Flashing
2. Characteristics:
 - a. Description: "Z" Flashing creates an attractive reveal between horizontal ends of HardiePanel siding.
 - b. Material: Extruded aluminum.
 - c. Dimensions: As indicated on drawings.

F. T-Piece:

1. Acceptable product: FCP – T-Piece.
2. Characteristics:
 - a. Description: T-Piece provides a 1/2" express/reveal at horizontal joints in James Hardie Artisan Matrix Panels.
 - b. Material: Extruded aluminum.
 - c. Dimensions: As indicated on drawings.

PART 3 - EXECUTION

3.1 INSTALLATION

- A. Reveal Panels: Install reveal panel accessories in accordance with James Hardie HardiePanel siding supplemental installation details for commercial applications and as follows:

1. Inside and Outside Corner Trim: Install at designated corners.

J Channel: Install at exposed edge of cementitious panels at door and window openings, and at intersections with other materials.

Vertical Molding: Install between cementitious panels as indicated on drawings.
2. "Z" Flashing: Install at horizontal joints between cementitious panels as indicated on drawings.

- B. Artisan Matrix Panels: Install panel accessories in accordance with James Hardie Artisan Matrix panel installation requirements and as follows:

1. T-Piece: Install at horizontal joints between James Hardie Artisan Matrix Panels as indicated on drawings.

3.2 PROTECTION

- A. Protect accessories from damage until date of Substantial Completion. Replace accessories which become damaged.



FRYREGLET
ARCHITECTURAL METALS

Available Nationwide
800.237.9773 • Fax: 800.200.4379
www.fryreglet.com